

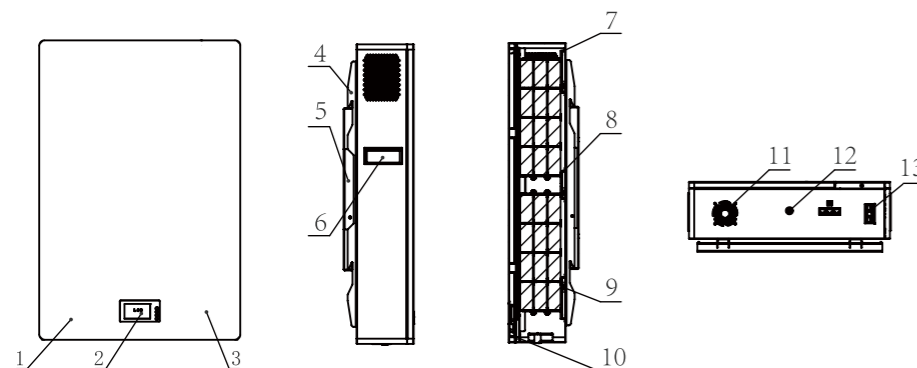
51.2V Energy Storage LiFePO4 Battery-Powerwall-PW



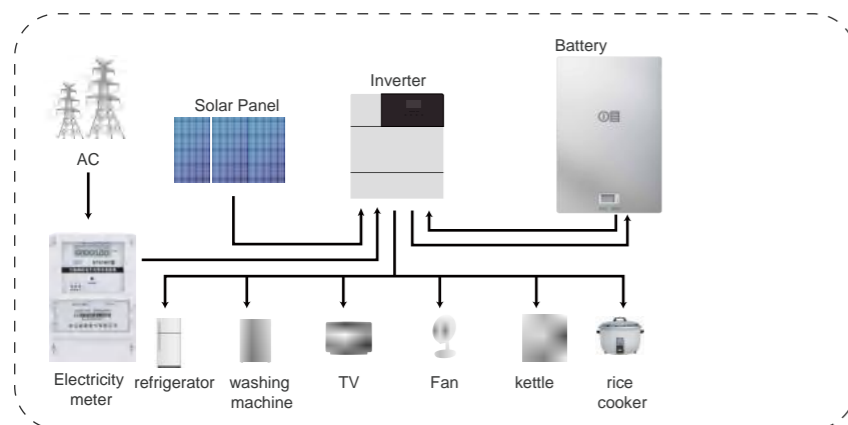
Features

- LCD monitor the energy storage power data and operating status.
- High-quality LiFePO4 battery, safety, deep cycle and long lifespan.
- Air cooling to improve the reliability of the product.
- External main switch to reduce product power consumption and improve safety.
- Foot pads and wall brackets, which can meet the installation and use of different place.
- BMS built inside, over-voltage, over-load, over-temperature protection, etc.
- Compatible, can be connected to different types of loads within the voltage range.
- Support up to 15 modules in parallel.

Structural parts description



1. White plate
2. LCD display
3. Black plate
4. Battery bracket
5. Wall mounted bracket
6. Handle
- 7/8. Module holder
9. Stiffening plate
10. DC fan
11. OFF/ON
12. Communication
13. Output connector



51.2V Energy Storage LiFePO4 Battery-Powerwall-PW



Specifications

	Model	ZECO-15050BL-PW	ZECO-160100BL-PW
Basic Characteristics	Nominal Voltage	51.2V	51.2V
	Nominal Capacity	100Ah	200Ah
	Efficiency	≥96%	≥96%
	Inner Resistance	10mΩ	7mΩ
	Cell Type	LiFePO ₄	LiFePO ₄
Charging Characteristics	Charge Voltage	58.4V	58.4V
	Standard Charging Current	20A	40A
	Max.Continuous Charging Current	1000A	100A
Discharge Characteristics	Standard Discharge Current	20A	40A
	Continuous Discharge Current	100A	100A
	Peak Discharge Current	200A (3s)	200A (3s)
	Discharge Cut-off Voltage	42V	42V
Environmental Requirements	Charge Temperature Range	0~60°C	0~60°C
	Discharge Temperature Range	-10°C~65°C	-10°C~65°C
	Storage Temperature Range	-5~40°C	-5~40°C
	Storage Humidity	65±20% HR	65±20%HR
Mechanical Characteristics	Size(L×W×H)	440×170×560mm	440×206×670
	Package Size (L×W×H)	625×520×335mm	750×520×385mm
	Shell Material	SPCC	SPCC
	Net Weight	42kg	73kg
	Gross Weight	53kg	91kg
	Package Method	1pcs per carton	1pcs per carton
Others Characteristics	Cycle Life	≥6000 times	≥6000 times
	Self Discharge	2% per month	2% per month
	SOC Indication	LED Light & LCD Screen	LED Light & LCD Screen
	Communication Mode	RS485/CAN	RS485/CAN
	Matching Inverter	Growatt, Goodwe, Deye, Luxpower, SRNE etc	



High cycle life

4000 cycles @80% DoD for effectively lower total of ownership cost.



Quickly recharge

Save time and increase productivity with less down time thanks to superior charge/discharge efficiency.



Longer service life

Low maintenance batteries with stable chemistry.



Extreme heat tolerance

Suitable for use in a wider range of applications where ambient temperature is unusually high: up to +60°C.



Built in circuit protection

Battery Management System (BMS) is incorporated against abuse.



Lightweight

Lithium batteries provide more Wh/Kg while also being up to 1/3 the weight of its SLA equivalent.



Better storage

Up to 6 months thanks to its extremely low self discharge (LSD) rate and no risk of sulphation.



Function

Support parallel operation